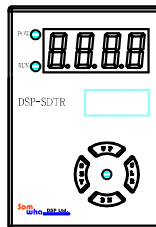
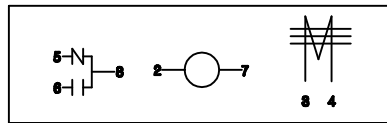
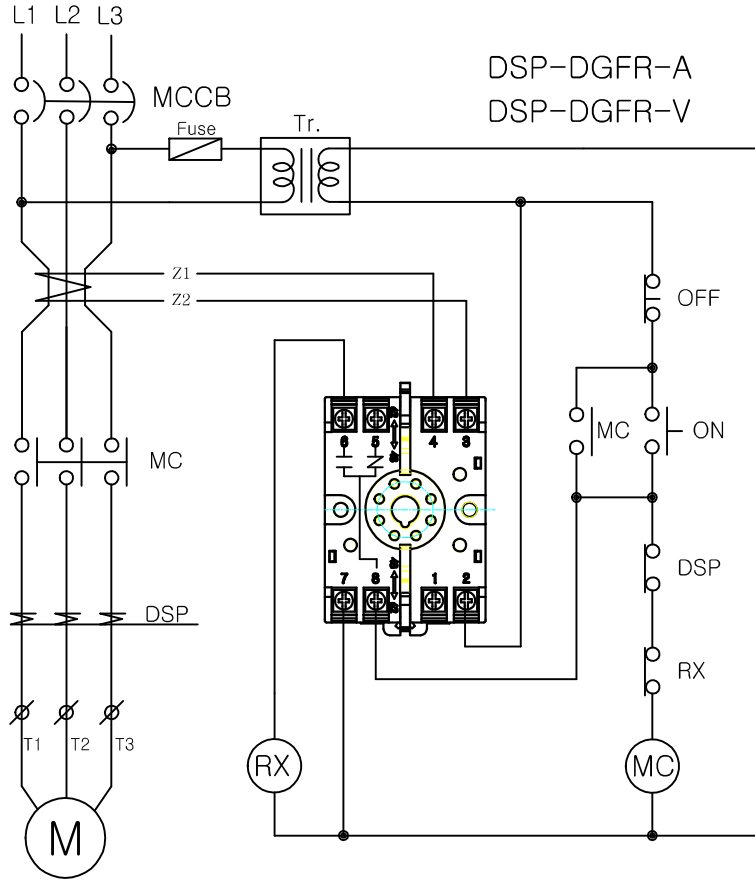
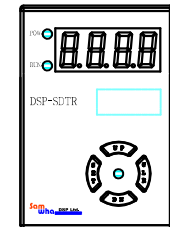
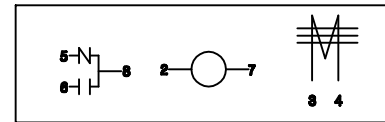
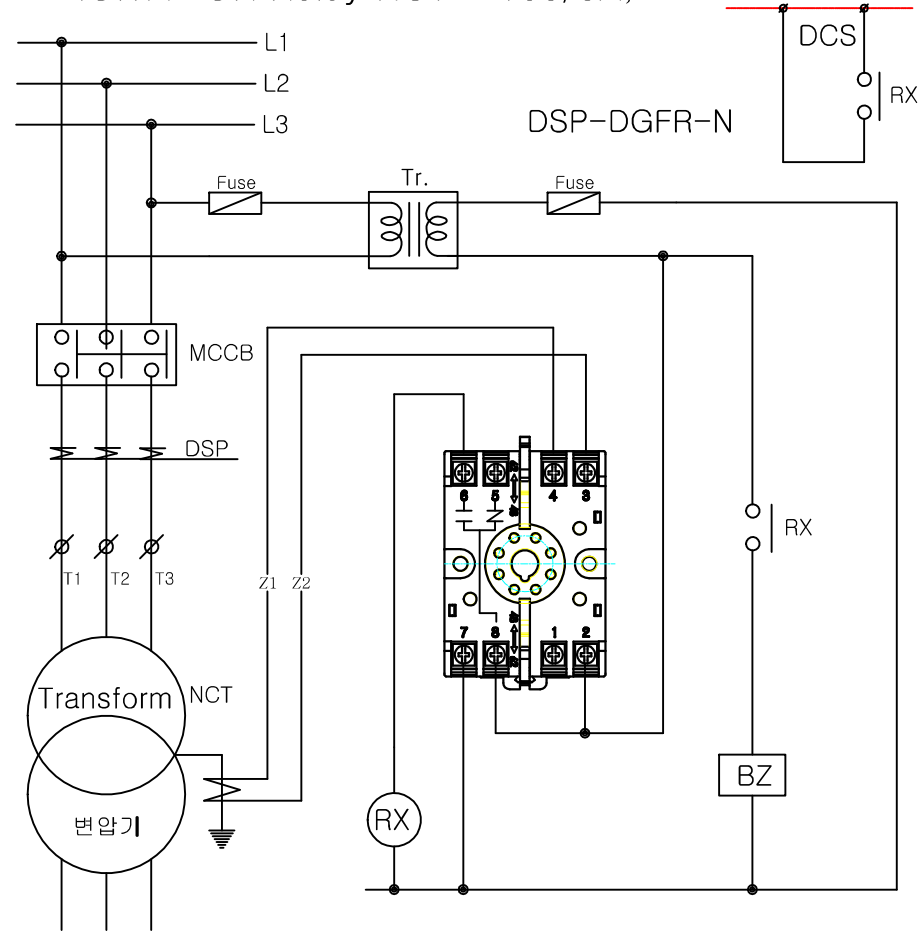


DIGITAL GR Relay ZCT - 200/1.5mA,
ZCT - 200/100mV,



DIGITAL GR Relay NCT - 100/5A,



1						PROJECT	DRN BY	CH'D BY	APP'D BY	SCALE	WORK No.	CAD FILE NAME	SHEET No.
3						TITLE				1/NS		SAMPLE	/
2						DSP-DGFR						DRAWING No.	REV' No.
1													
REV'No	DATE	DESCRIPTION	DRN	CH'D	APP'D		Sam Who ENG CO.			20 - 1019	001		