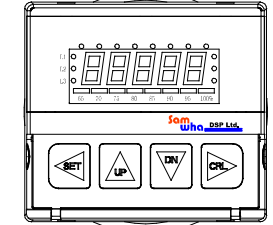
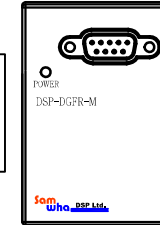
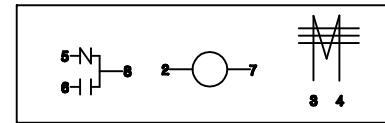
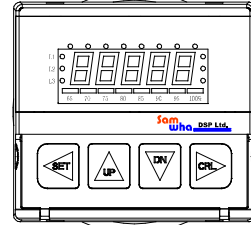
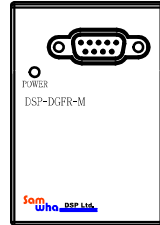
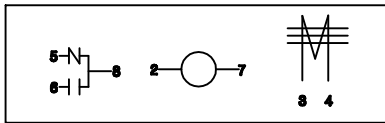
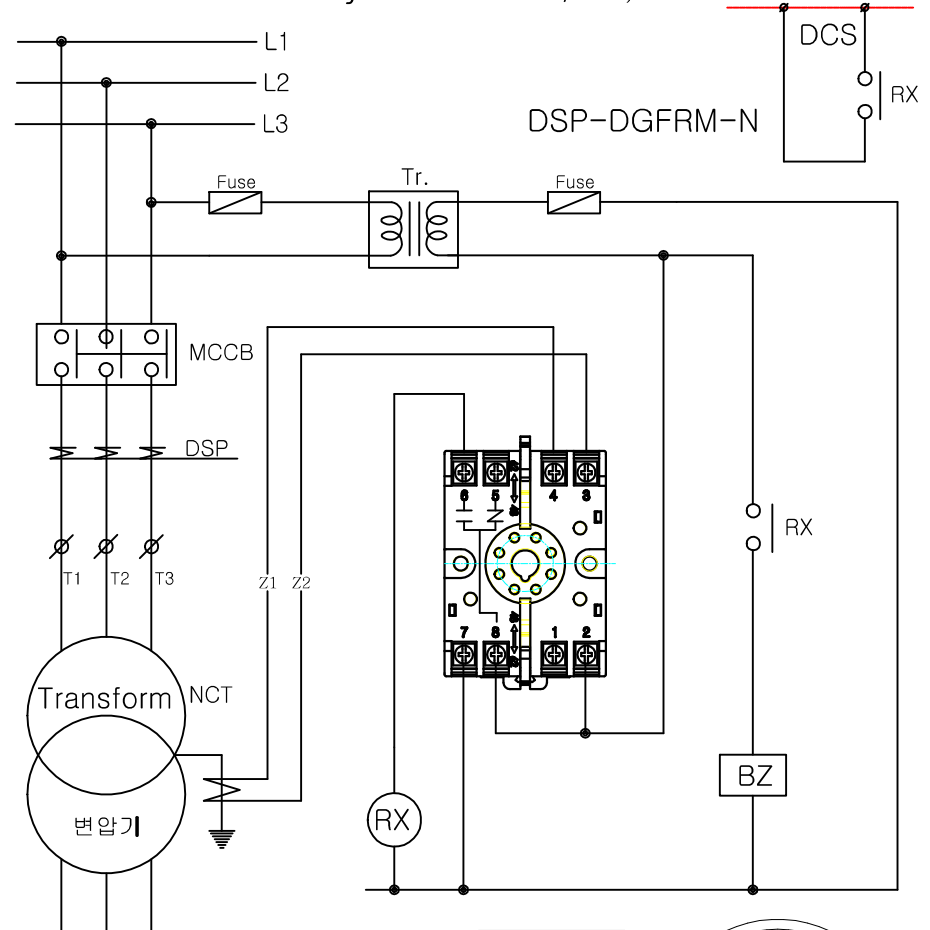
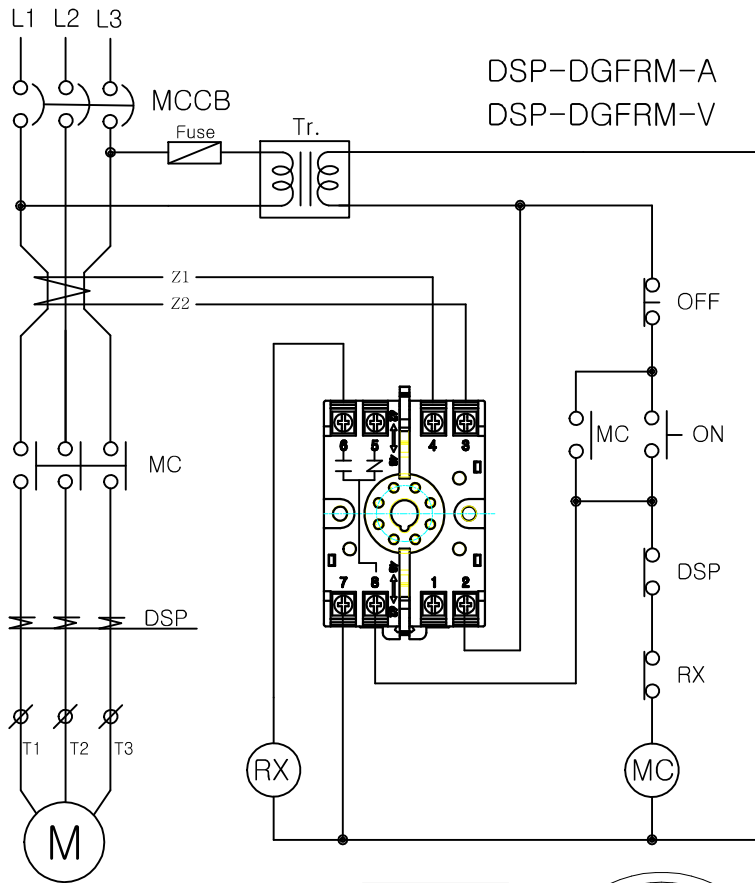


DIGITAL GR Relay ZCT -200/1.5mA,
ZCT -200/100mV,

DIGITAL GR Relay NCT - 100/5A,



REV'No	DATE	DESCRIPTION	DR'N	CH'D	APP'D	PROJECT	DR'N BY	CH'D BY	APP'D BY	SCALE	WORK No.	CAD FILE NAME	SHEET No.
4						TITLE DSP-DGFR-M				1/NS		SAMPLE	/
3													
2													
1													
										DRAWING No.		REV' No.	
										20 - 1019		002	
										Sam Who ENG CO.			